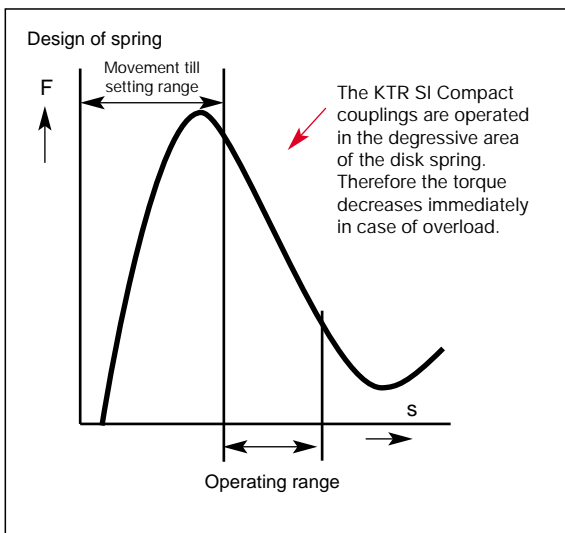


backlash-free, torsionally stiff safety clutch

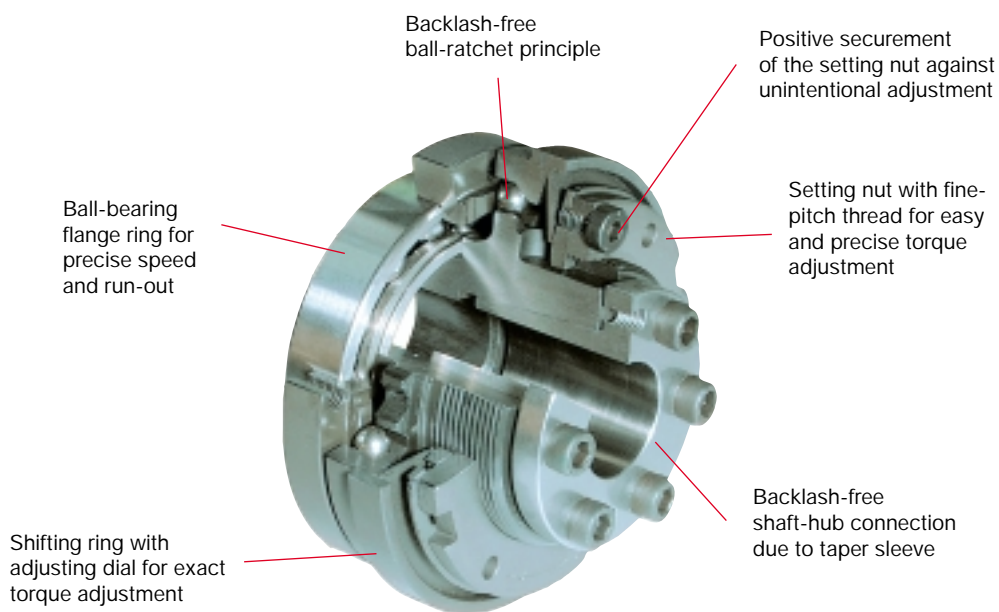
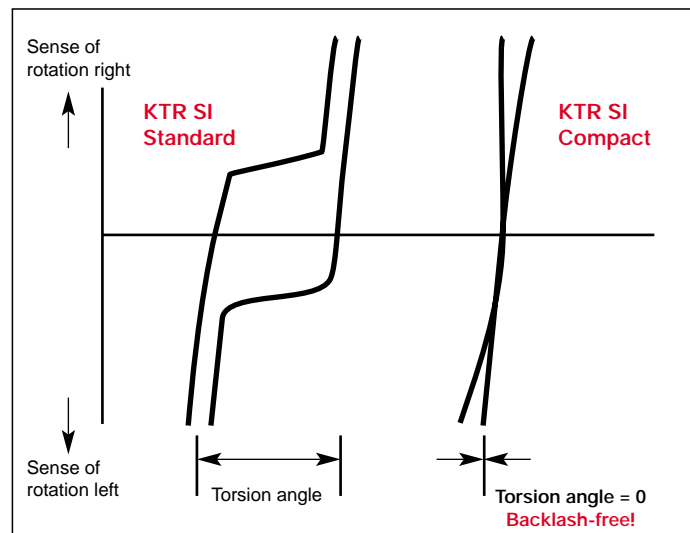


- backlash-free safety clutch with patented curve spring design
- precise switch-off with high repeating accuracy
- backlash-free torque transmission
- ball-bearing connection flange
- hardened ratchet surfaces for long lifespan
- backlash-free frictional shaft-hub connection
- can be used with proven ROTEX® GS as shaft-to-shaft connection

Characteristic special curve



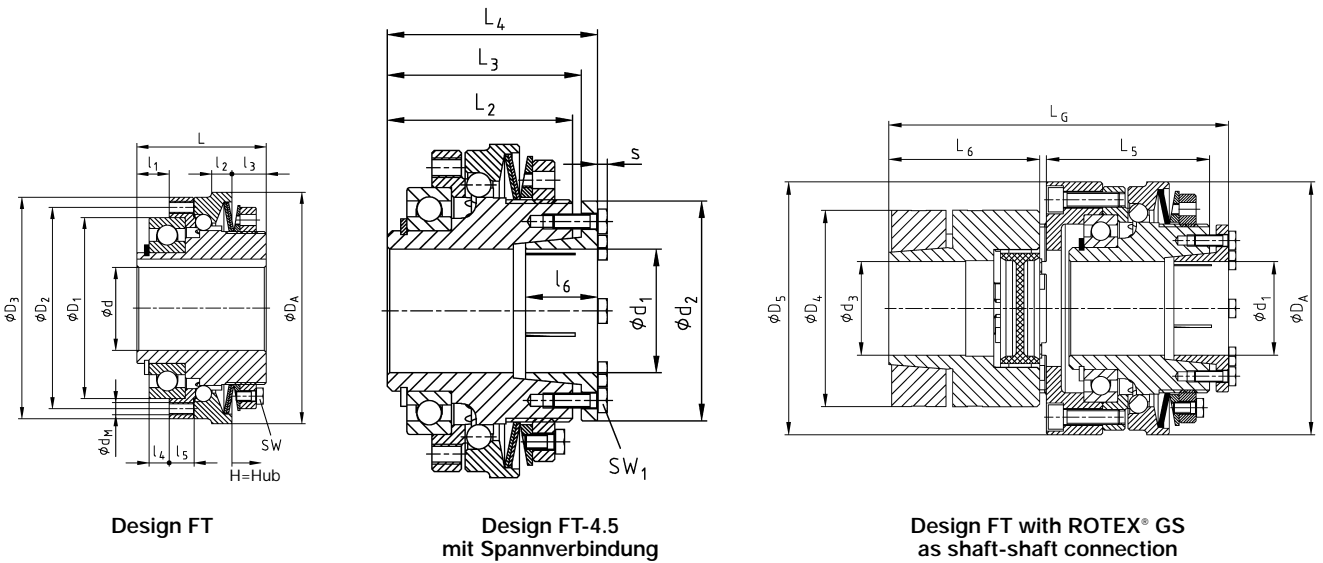
What is backlash-free?



backlash-free, torsionally stiff safety clutch



- torque up to 1050 Nm
- maximum shaft diameter up to 60 mm
- synchronous and ratchet design
- different types for all applications
- backlash-free and vibration-reducing in combination with ROTEX® GS
- drive and driven-sided with backlash-free, frictionally engaged shaft-hub connection
- also available in combination with torsionally stiff RADEX®-NC steel laminae coupling



Size	Speed [min ⁻¹]	Torques [Nm]			Dimensions type FT [mm]													
		T1	T2	T3	d _{max}	D ₁ ^{h5}	D ₂	D ₃	D _A	d _M	L	l ₁	l ₂	l ₃	l ₄	l ₅	SW	H = Hub
01	01	5-14	10-28	20-60	20	47	56	65	70	8xM4	40	8	7	12	5	7,5	7	1,2
0	0	9-27	18-54	38-115	30	62	71	80	85	8xM5	48	11	8	14	7	8	7	1,5
1	1	19-60	38-125	70-255	35	75	85	95	100	8xM6	59	14	9	16	9	10,5	8	1,8
2	2	35-110	80-220	160-440	45	90	100	110	115	8xM6	64	16	10	17	10	12	10	2,0
3	3	80-185	160-370	320-740	50	100	116	130	135	8xM8	75	18	12	21	10	12	10	2,2

Size	Dimensions with taper sleeve type 4.5						
	d _{1max}	L ₂	L ₃	L ₄	d ₂	S	SW ₁
01	25	40	42	47	42	2,8	7
0	30	46	49	56	57	4	10
1	40	57	60	67	64	4	10
2	50	63	66,5	73	73,5	4	10
3	60	75	78,5	86	89	4	10

Size	ROTEX® GS Size	Dimensions type FT with ROTEX® GS [mm]							
		d _{1max}	d _{3max}	D ₄	D ₅	L _G	L ₅	L ₆	D _A
01	24	25	28	55	70	102	47	30	70
0	28	30	38	65	85	119,5	54,5	35	85
1	38	40	45	80	100	146	67	45	100
2	42	50	55	95	115	159	73	50	115
3	48	60	62	105	135	182	87	56	135

KTR Kupplungstechnik GmbH
 Postfach 1763 D-48407 Rheine Tel.: +49-5971/798-0 Fax: +49-5971/798-698

Internet: www.ktr.com E-Mail: mail@ktr.com